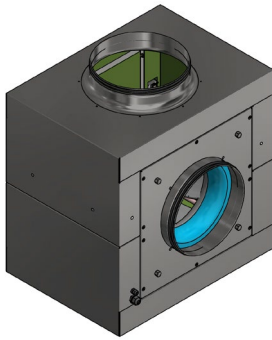


BF700R-355RT01I2

BoxFan

Built in RadiCal EC vfan
With round are inlet and outlet



ebmpapst Denmark ApS
Vallensbækvej 21
2605 Brøndby
Denmark
Tel: +45 4363 1111

Nominal data

Type	BF700R-355RT01I2	
EC Ventilator	K3G355-RT01-I2	

Phase		1~
Nominal voltage	VAC	230
Nominal voltage range	VAC	200...277
Frequency	Hz	50/60

Type of data definition		ml
Speed	min ⁻¹	2100
Power input	W	750
Current draw	A	3,3
Min. ambient temperature	°C	-40
Max. ambient temperature	°C	60

ml = Max. load · me = Max. efficiency · rfa = running at free air · cs = customer specs · cu = customer unit
Subject to alterations

Data in accordance with the EU environment design regulation 327/2011 for built-in fan units.

	Actual	Request 2015			
Overall efficiency η_{es}	65,8%	50,2%	Power input P_{ed}	kW	0,75
Installation category	A		Airflow q_v	m ³ /h	3205
Efficiency category	Static		Pressure increase p_{fs}	Pa	511
Efficiency grade N	77,6%	62%	Speed n	min ⁻¹	2100
Variable speed drive	Yes		Specific ratio*		1,01

*Specific ratio = $1 + p_{fs} / 100\,000\text{ Pa}$

Data definition with optimum efficiency.
The ErP data is determined using a motor-impeller combination in a standardized measurement setup

BoxFan

Built in RadiCal EC vfan
With round are inlet and outlet

Technical features

Rotor surface	Painted black
Electronic housing material	Die-cast aluminium
Impeller material	Plastic PA
Support plate materiale	Sheet steel, galvanized
Support bracket material	Steel, galvanized
Inlet nozzle material	Sheet steel, galvanized
Number of blades	6
Direction of rotation	Clockwise, viewed toward rotor
Degree of protection	IP 55
Insulation class	"F"
Moisture (F) / Environmental (H) protection class	H1
Ambient temperature note	Occasional start-up at temperatures between -40°C and -25°C is permitted. For continuous operation at ambient temperatures below -25°C (such as refrigeration applications), use must be made of a fan design with special low-temperature bearings
Max. permitted ambient temp. for motor (transport/storage)	+80 °C
Min. permitted ambient motor temp. (transp./ storage)	-40 °C
Mounting position	Shaft horizontal or rotor on bottom; rotor on top on request
Condensate discharge holes	Rotor side
Mode	S1
Motor bearing	Ball bearing
Technical features	<ul style="list-style-type: none"> -Output 10 VDC, max. 10 mA -Operation and alarm display -Alarm relay -Integrated PID controller -Power limiter -Motor current limitation -PFC, active -RS-485 MODBUS-RTU -Soft start -Control input 0-10 VDC / PWM -Control interface with SELV potential safely disconnected from supply -Thermal overload protection for electronics/motor -Line undervoltage / phase failure detection
EMC interference immunity	According to EN 61000-6-2 (industrial environment)
EMC circuit feedback	According to EN 61000-3-2/3
EMC interference emission	According to EN 61000-6-3 (household environment)
Touch current acc. IEC 60990 (measuring network Fig. 4, TN system)	≤ 3.5 mA
Motor protection	Thermal overload protector (TOP) internally connected
Protection class	I (with customer connection of protective earth)

Physical description

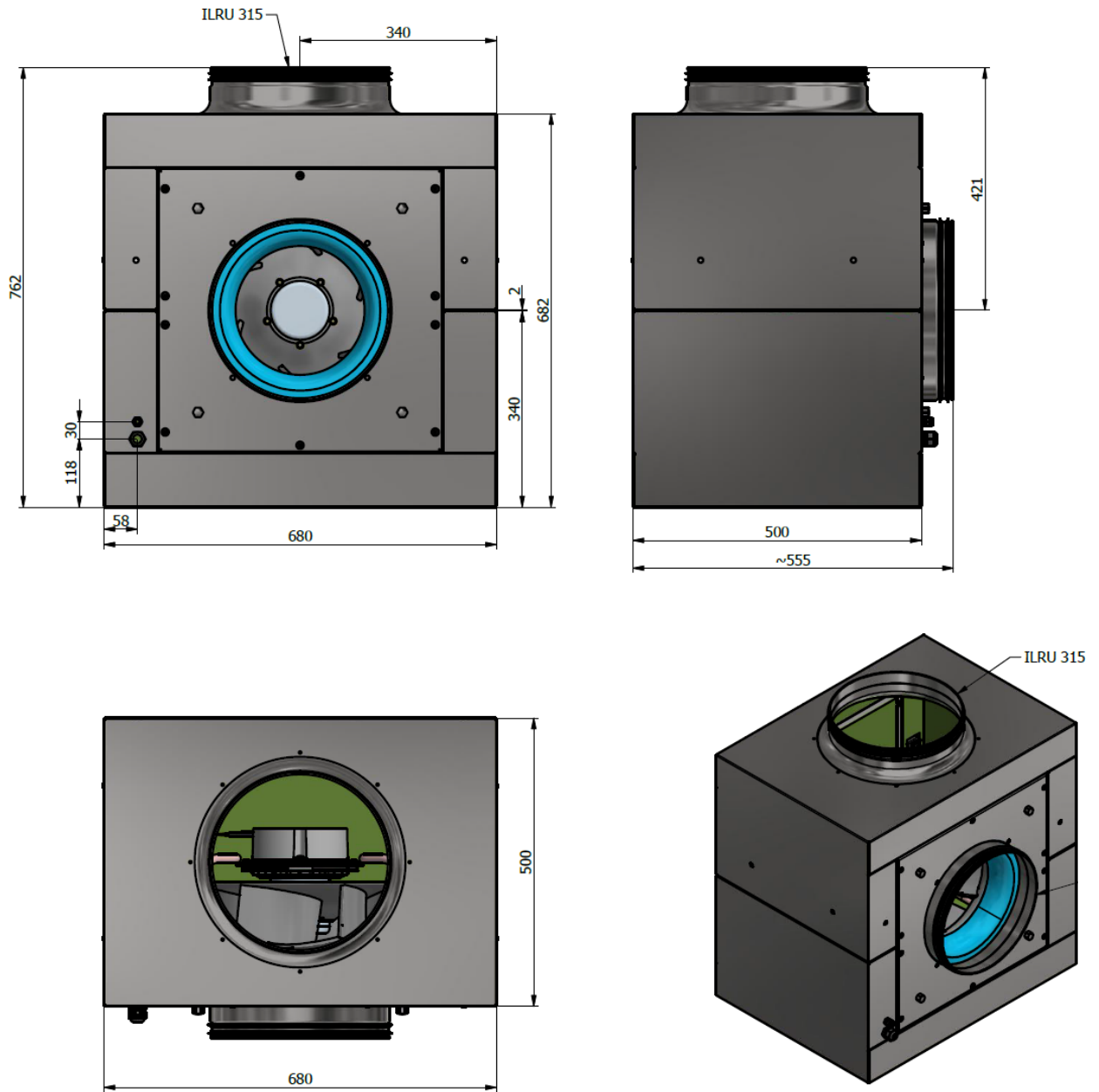
Weight	41,4 kg
Plate thickness, chassis	1 mm
Plate thickness, fan plate and inspection hatch	3 mm
Insulation	20 mm Polyethylen Cross Linked PE-Foam - LD-30, Black
Cable glands, PG	M12 og M20
Duct connection, ILU	Ø315
Dimensions	See product drawing

BF700R-355RT01I2

BoxFan

Built in RadiCal EC vfan
With round are inlet and outlet

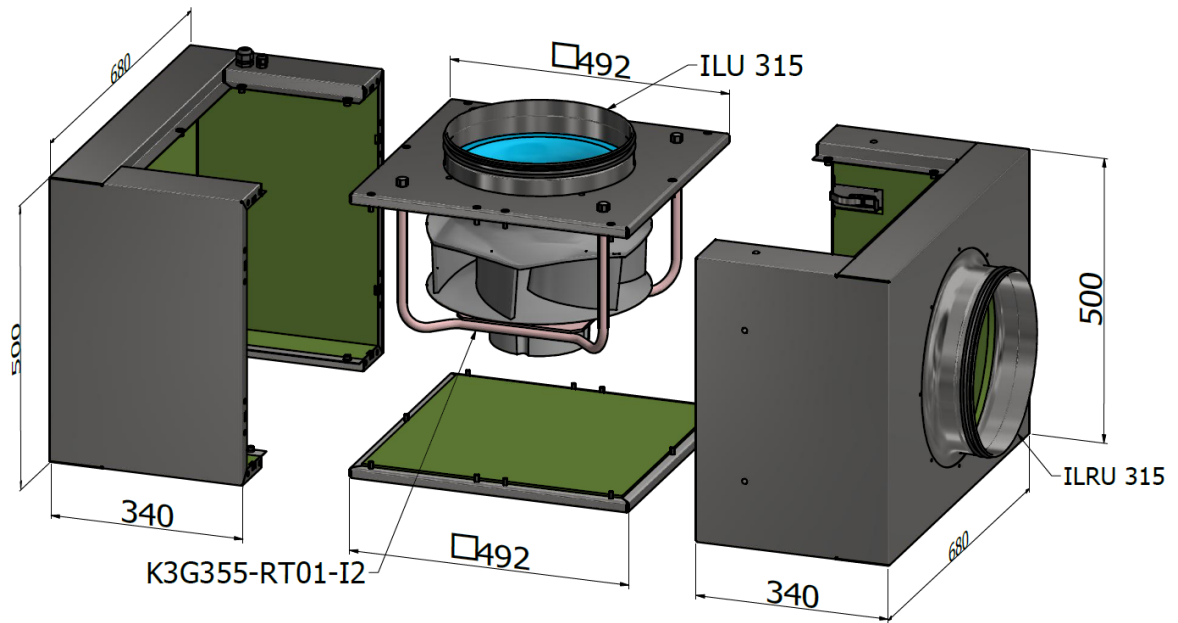
Product drawing



BF700R-355RT01I2

BoxFan

Built in RadiCal EC vfan
With round are inlet and outlet



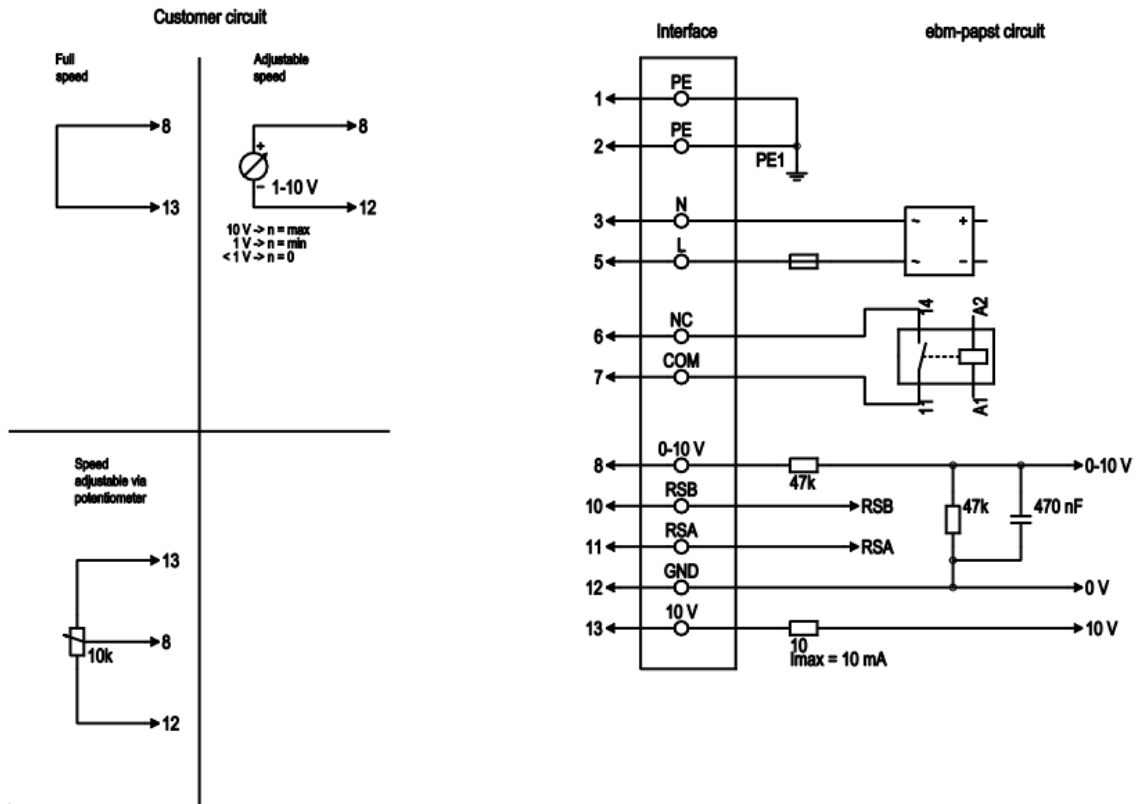
Cable PVC AWG18, 5x crimped ferrules

Cable PVC AWG22, 5x crimped ferrules

BoxFan

Built in RadiCal EC vfan
With round are inlet and outlet

Connection diagram

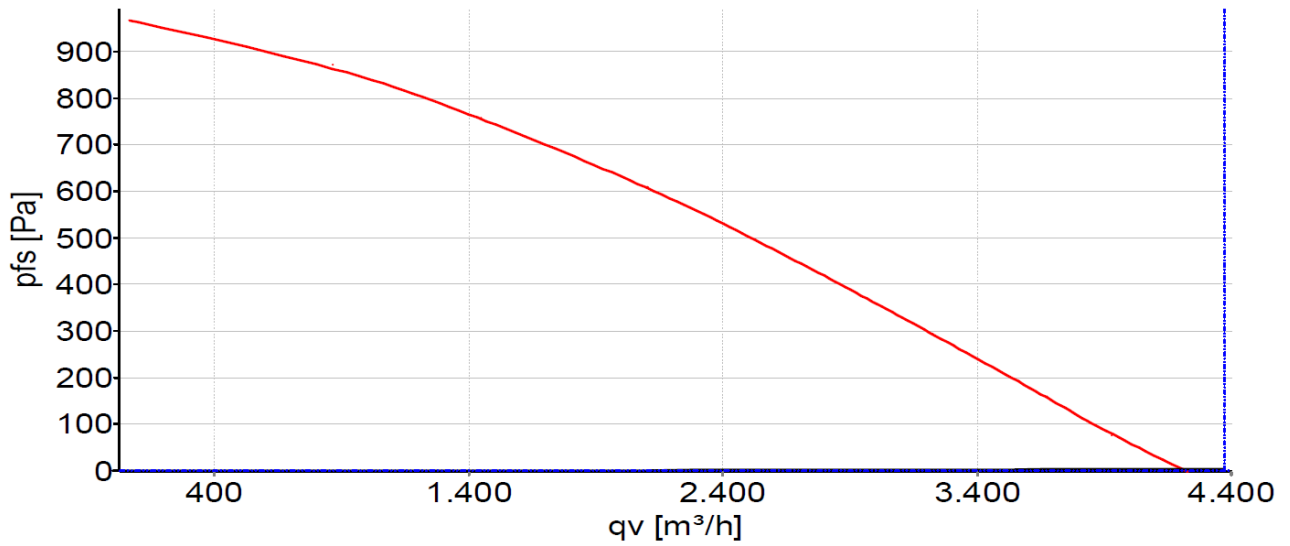


No.	Conn.	Designation	Color	Function/assignment
1	1, 2	PE	Green/yellow	Protective earth
1	3	N	Blue	Power supply, neutral conductor, 50/60 Hz
1	5	L	Black	Power supply, phase, 50/60 Hz
1	6	NC	White 1	Status relay, floating status contact; break for failure, contact rating 250 VAC / 2A (AC1) / min. 10 mA, basic insulation on supply side and reinforced insulation on control interface side
1	7	COM	White 2	Status relay, floating status contact; common connection, contact rating 250 VAC / 2A (AC1) / min. 10 mA, basic insulation on supply side and reinforced insulation on control interface side
2	8	0-10V	Yellow	Analog input (set value); 0-10 V; Ri = 100 kΩ; adjustable curve
2	10	RSB	Brown	RS485 interface for MODBUS, RSB
2	11	RSA	White	RS485 interface for MODBUS, RSA
2	12	GND	Blue	Reference ground for control interface, SELV
2	13	+10V	Red	Fixed voltage output 10 VDC, +10 V ±3%; max. 10 mA; short-circuit-proof; power supply for external devices (e.g. pot)

BoxFan

Built in RadiCal EC vfan
With round are inlet and outlet

Curves: Air performance 50 Hz



Measurement: LU-150482-1

Air performance measured according to ISO 5801 installation category A. For detailed information on the measurement setup, contact ebm-papst. Intake sound level: Sound power level according to ISO 13347 / sound pressure level measured at 1 m distance from fan axis. The values given are valid under the specified measuring conditions and may vary due to conditions of installation. For deviations from the standard configuration, the parameters have to be checked on the installed unit.

